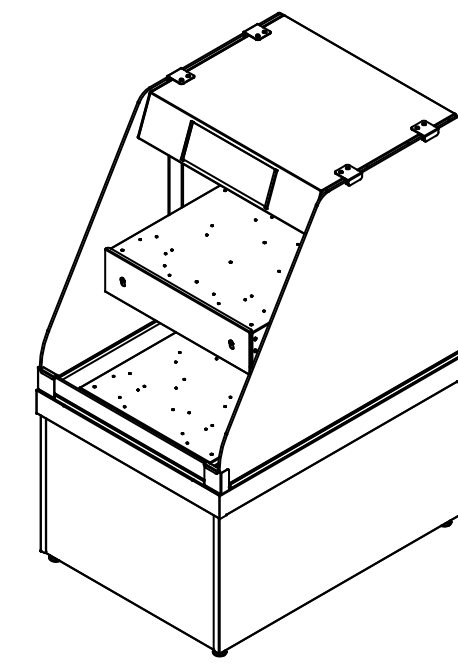
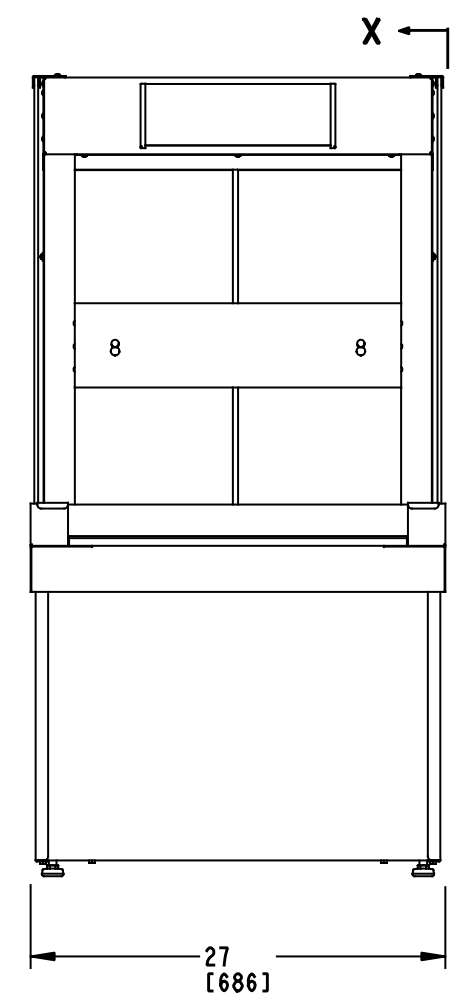
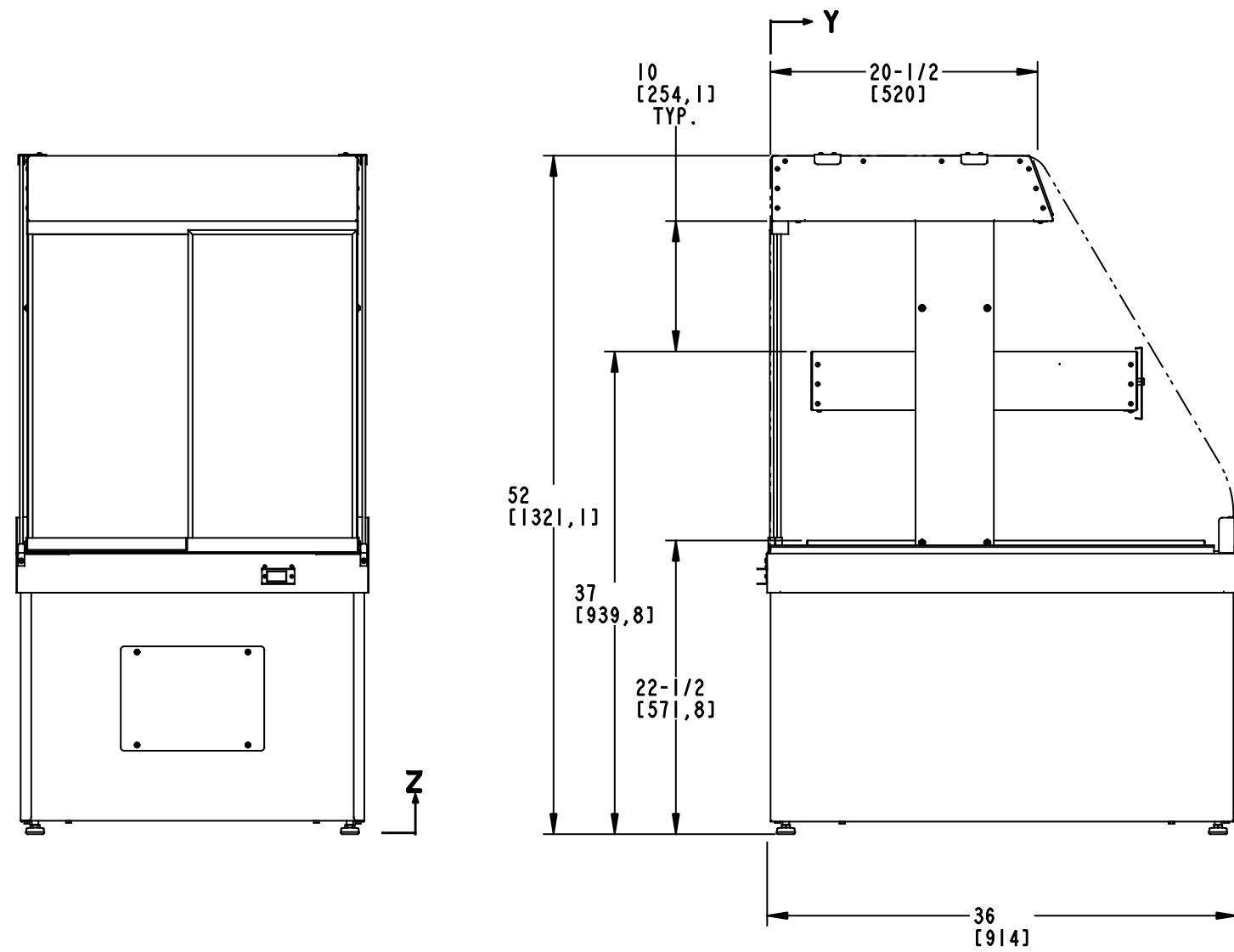


REV	DESCRIPTION	BY	DATE
0	ORIGINAL RELEASE	ZL	25-MAR-09
1	#5271	ZL	20-MAY-09



NOTES:

- ELECTRICAL CONNECTION MAY BE EITHER 208/120VAC OR 240/120VAC (SEE TABLE BELOW) HAVING A SINGLE (SPLIT) PHASE, 50/60 HZ, 4-WIRE SUPPLY (2-HOT, 1-NEUTRAL, 1-GROUND) EQUIPPED WITH A 2-POLE CIRCUIT BREAKER
- UPPER LEVEL CONTAINS 6 BULBS AND 4 HEATED ZONES, LOWER LEVEL CONTAINS 6 BULBS AND 6 HEATED ZONES
- CASE FOOT PRINT: 6-3/4 SQ. FT.

SUPPLY VOLTAGE	CONFIGURATION	PEAK POWER CONSUMPTION	RECOMMENDED BREAKER PER POLE
208/120 VAC	ALL 100W LIGHT BULBS	2161 WATTS	15 AMPS
240/120 VAC	ALL 100W LIGHT BULBS	2480 WATTS	15 AMPS

FEATURE	X-POSITION	Y-POSITION	Z-POSITION
ELECTRICAL CONNECTION	10-1/2 [266]	1-1/2 [38]	10-1/2 [266]
ELECTRICAL OPENING IN BASE	13-1/2 [342]	1-1/2 [38]	10-1/2 [266]

UNLESS SPECIFIED OTHERWISE:
1. ALL DIMENSIONS ARE IN: **inches**

2. TOLERANCES ARE:
FRACTIONS: $\pm 1/8$
DECIMALS .X: -
.XX: -
.XXX: -
ANGLES: -

DRAWING NAME: **2-TIER ZONE 2, SPECIFICATIONS**

DRAWN BY: **ZHANBO LI** PART NO: DRAWING NO: **99-12133**

APPROVED BY: DATE: **20-MAY-09** SCALE: **2:25** PAPER SIZE: **B** SHEET: **1 OF 1**

HARDT EQUIPMENT MANUFACTURING INC.
1756 50 AVE. LACHINE, QUEBEC, CANADA H8T 2V5 TEL: (514) 631-7271 FAX: (514) 631-7273

NOTE:
THE INFORMATION CONTAINED HEREIN IS THE PROPERTY OF HARDT EQUIPMENT MANUFACTURING INC. ANY REPRODUCTION, DISCLOSURE OR USE THEREOF IS PERMITTED ONLY AS PROVIDED BY CONTRACT, OR AS AUTHORIZED IN WRITING BY HARDT EQUIPMENT MANUFACTURING INC.